

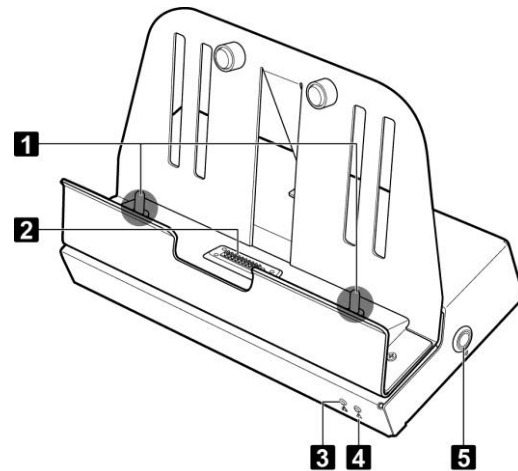
U11I Office Dock

Product Overview

No.	Item
1	Alignment port (x2)
2	Docking connector
3	LAN indicator
4	Power indicator
5	Power button

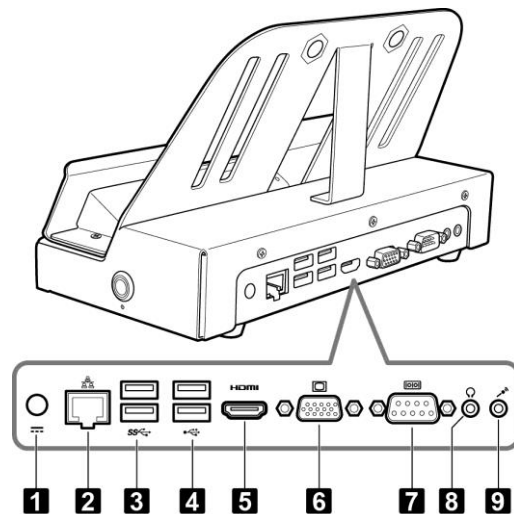
*The power button's function is the same as the power button on the tablet PC.

Front



Rear

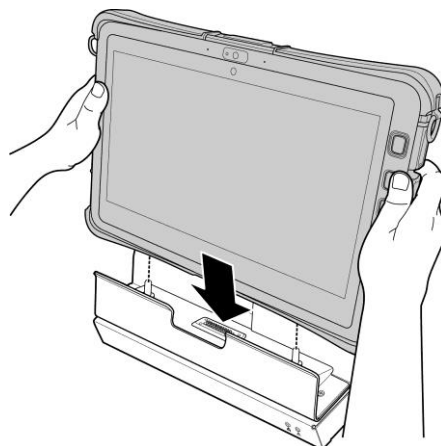
No.	Item
1	DC-in jack *
2	LAN (RJ-45) port
3	USB3.0 port (x2)
4	USB2.0 port (x2)
5	HDMI port
6	VGA port
7	Serial port (RS-232)
8	Audio out jack
9	Microphone in jack



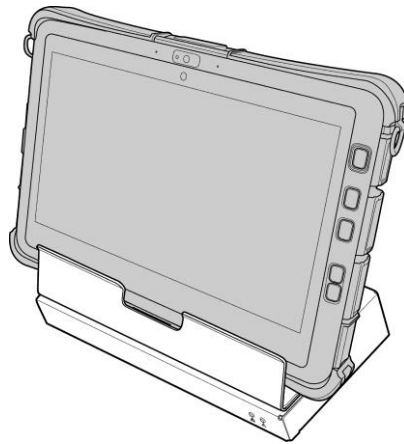
* Please contact dealer for appropriate adapter.

Docking the Tablet PC

1. With screen side facing out and docking connector down, install the tablet PC into the alignment ports on docking cradle.

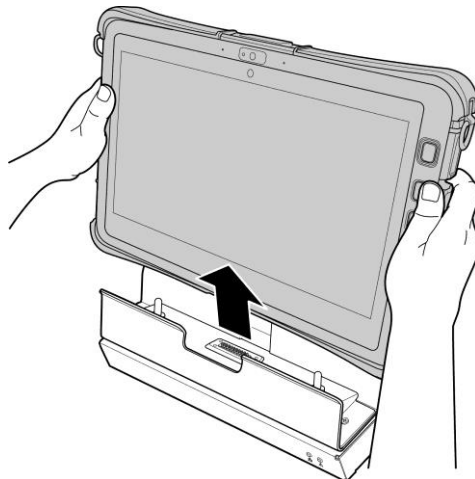


2. Ensure the tablet PC is tightly secured to the docking cradle.



Undocking the Tablet PC

Use both hands to remove the tablet PC from the docking cradle.



FCC Regulations

This device complies with Part 15B Class B of the FCC Rules. Operation is subject to the following two conditions: (1) this device may not cause harmful interface, and (2) this device must accept any interface

received, including interface that may cause undesired operation.

This Class B digital apparatus complies with Canadian ICES-003.

Cet appareil numérique de la classe B est conforme à la norme NMB-003 du Canada.